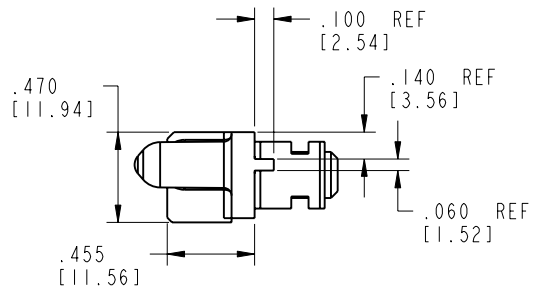
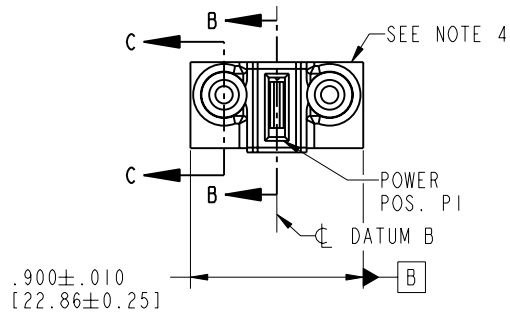
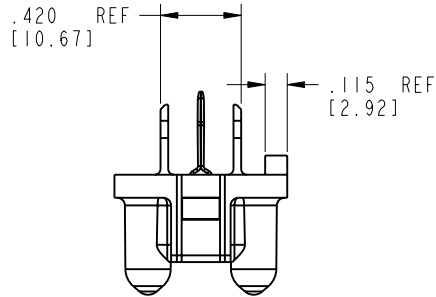


Tous droits strictement reserves. Reproduction ou communication o des liers interdite sous quelque forme que ce soit sans autorisation ecrite du proprietaire. Propriete de c FCI. Droits de reproduction FCI.

All rights strictly reserved. Reproduction or issue to third parties in any form whomever is not permitted without written authority from the proprietor. Property of FCI. Copyright FCI.

PRODUCT NO. 51925-001-- NOTE: 3	PWR		
	E2	P1	E1



CODE	DIM "M" MATING LENGTH	CONTACT TYPE
PG	.042 [1.07]	POWER

mat'l code SEE NOTE 2				tolerances unless otherwise specified		CUSTOMER		FCI www.fciconnect.com	
ltr	ecn no.	dr	date	linear	.XX±.01/0.X±0.3		COPY		title IP VERTICAL RECEPTACLE
A	V04-0858	TAB	08/30/04		.XXX±.005/0.XX±0.13		projection		
B	DG06-0020	JMG	01/17/06	angles	.XXX±.0020/0.XXX±0.051		INCH/MM		product family PwrBlade code 213
					0°±2°		scale 1:1		
sheet index		revision sheet	B 1	B 2	B 3				

Pro/E

cage code 22526

PDM: Rev:B

STATUS: Released

Printed: Dec 20, 2010

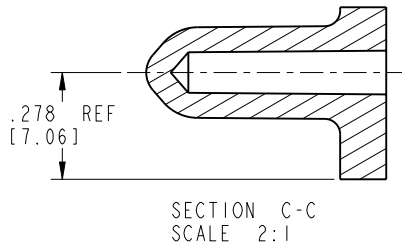
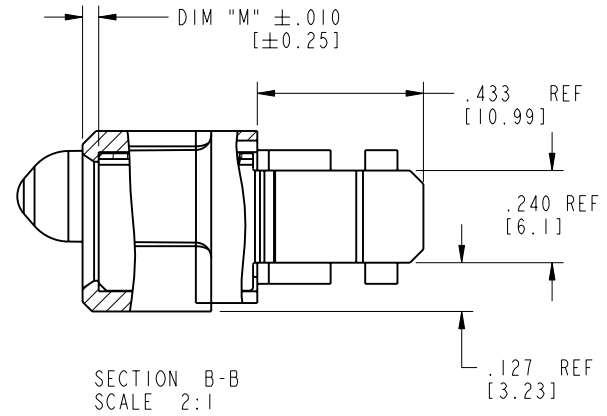
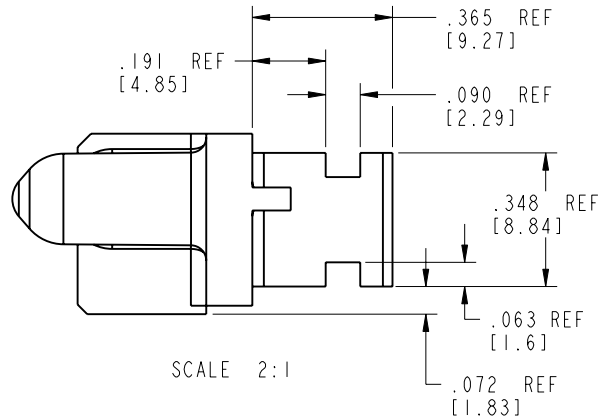
Tous droits strictement réservés. Reproduction ou communication o des liers interdite sous quelque forme que ce soit sans autorisation écrite du propriétaire. Propriete de c FCI. Droits de reproduction FCI.

A
FCI

All rights strictly reserved. Reproduction or issue to third parties in any form, whatever is not permitted without written authority from the proprietor. Property of FCI. Copyright FCI.

PRODUCT NUMBER

51925-001__
NOTE: 3



mat'l code		SEE NOTE 2		tolerances unless otherwise specified		CUSTOMER		 www.fciconnect.com	
lfr	ecn no.	dr	date	linear	.XX±.01/0.X±0.3	COPY			
B				projection	.XXX±.005/0.XX±0.13			title	IP
				angles	.XXX±.0020/0.XXX±0.051			VERTICAL RECEPTACLE	
				dr	T. BRUNGARD 08/30/04	INCH/MM		product family	PwrBlade
				enqr	M. GRAY 08/30/04	scale		code	213
				chr	M. GRAY 08/30/04	1:1		size	dwg no
				appd	M. GRAY 08/30/04			A	51925-001
sheet index	revision sheet								sheet 2 of 3

Pro/E

coge code 22526

PDM: Rev:B

STATUS: Released

Printed: Dec 20, 2010

Tous droits strictement reserves. Reproduction ou communication o des liers interdite sous quelque forme que ce soit sans autorisation ecrite du proprietaire. Propriete de c FCI. Droits de reproduction FCI.

All rights strictly reserved. Reproduction or issue to third parties in any form, whenever is not permitted without written authority from the proprietor. Property of FCI. Copyright FCI.



PRODUCT NUMBER

51925-001__
NOTE: 3

NOTES:

1. DIMENSIONS AND TOLERANCES ARE IN ACCORDANCE WITH ASME Y14.5M, 1994 UNLESS OTHERWISE SPECIFIED.

CONNECTOR NOTES:

- 2 HOUSING MATERIAL: UL 94 V-0 GLASS FILLED
HIGH-TEMP THERMOPLASTIC
POWER CONTACT MATERIAL: COPPER ALLOY
SIGNAL PIN MATERIAL: COPPER ALLOY
- 3. 51925-001;51925-001LF;51925-001GLF PLATING SPEC. SEE PRINT:10064183
- 4 MANUFACTURER'S NAME, P/N, AND DATE CODE TO APPEAR ON THIS SURFACE.
- 5. PRODUCT SPECIFICATION GS-12-149.
APPLICATION SPECIFICATION BUS-20-067.
- 6. PACKAGED IN TRAYS.

mat'l code		SEE NOTE 2		tolerances unless otherwise specified		CUSTOMER		www.fciconnect.com	
ltr	ecr no.	dr	date	linear	.XX±.01/0.X±0.3	COPY			
B				linear	.XXX±.005/0.XX±0.13	projection		title	IP
				angles	.XXX±.0020/0.XXX±0.051			VERTICAL RECEPTACLE	
				dr	T. BRUNGARD 08/30/04	INCH/MM		product family	PwrBlade
				enr	M. GRAY 08/30/04	scale		code	213
				chr	M. GRAY 08/30/04	1:1		size	A
				appd	M. GRAY 08/30/04			dwg no	51925-001
sheet index	revision sheet							sheet	3 of 3

cage code 22526

Pro/E

PDM: Rev:B

STATUS: **Released**

Printed: Dec 20, 2010