

# TECHNICAL DATA

'' D '' SUBMINIATURE CONNECTORS

SHELL :

Steel.

BODY :

Glass filled thermoplastic.  
Flame retardant to UL 94 V-0.  
Colour : Black.

CONTACTS :

Material for sockets : bronze.  
Material for pins : brass.  
Finish of contact mating area :  
Gold over Nickel.

ELECTRICAL :

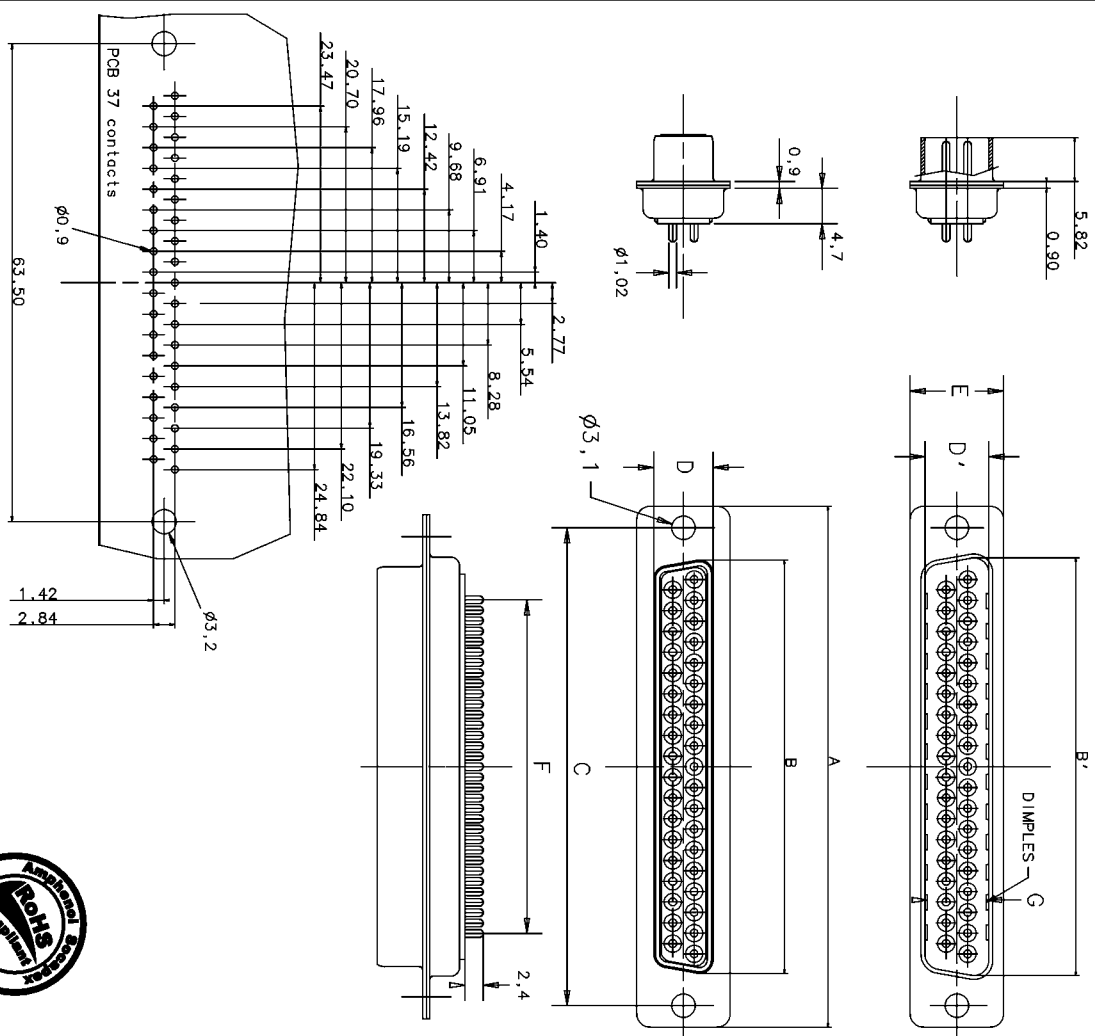
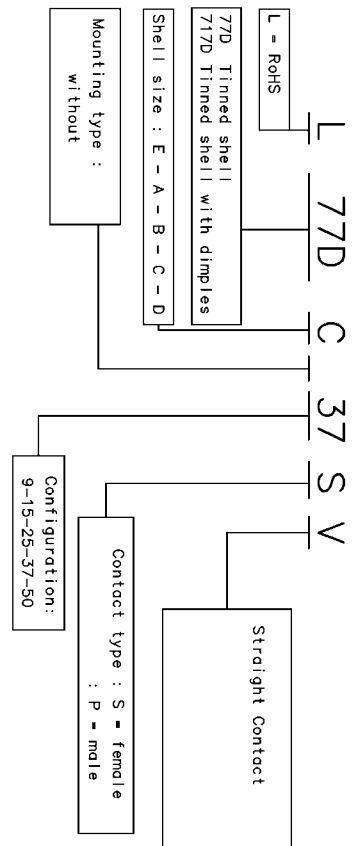
Voltage rating 300 V eff at 50Hz.  
Nominal current 7,5 A.  
Contact resistance <8.5m Ohms.  
Insulation resistance >5000 M Ohms.

CLIMATIC :

Temperature range -55°C up to +85° C  
Damp heat 21 days (40° C - 95 % RH)  
Other climatic specifications in accordance with NF C 93-425

MECHANICAL :

Mating and unmating force size E  
A 30 N max. 3,5 N mini.  
B 50 N max. 4,4 N mini.  
C 83 N max. 8,0 N mini.  
D 123 N max. 11,0 N mini.  
E 166 N max. 14,5 N mini.



Foilie boitier	A	B'	B	C	D'	D	E	F ±0,05	Pqs	G	*
E	30.43	16.41	17.94	25.12	8.93	8.48	12.93	10,98	2.74	7,62	2x3
A	38.76	24.79	25.32	33.20	9.93	8.48	12.93	19,20	2.74	7,62	2x5
B	53.45	38.25	38.84	46.91	9.93	8.48	12.93	33,12	2.76	7,62	2x8
C	68.94	54.97	55.30	63.37	9.93	8.48	12.93	49,68	2.76	7,62	2x12
D	86.31	82.30	82.88	81.29	10.82	10.33	14.75	44,20	2.76	10,5	2x12

IND. MODIFICATION	DATE	Executif	Approuv
13/03	2006	Valiak	
Creation plan			
DESIGNATION	L * * 7D * * * * V		
N SERIE	017F		
<b>Amphenol Socapex</b> Usine de Dole			
ECHELLE 2	ENDBLE	AX	
COMMUNICATION ET UTILISATION INTERDITES SAUF AUTORISATION			