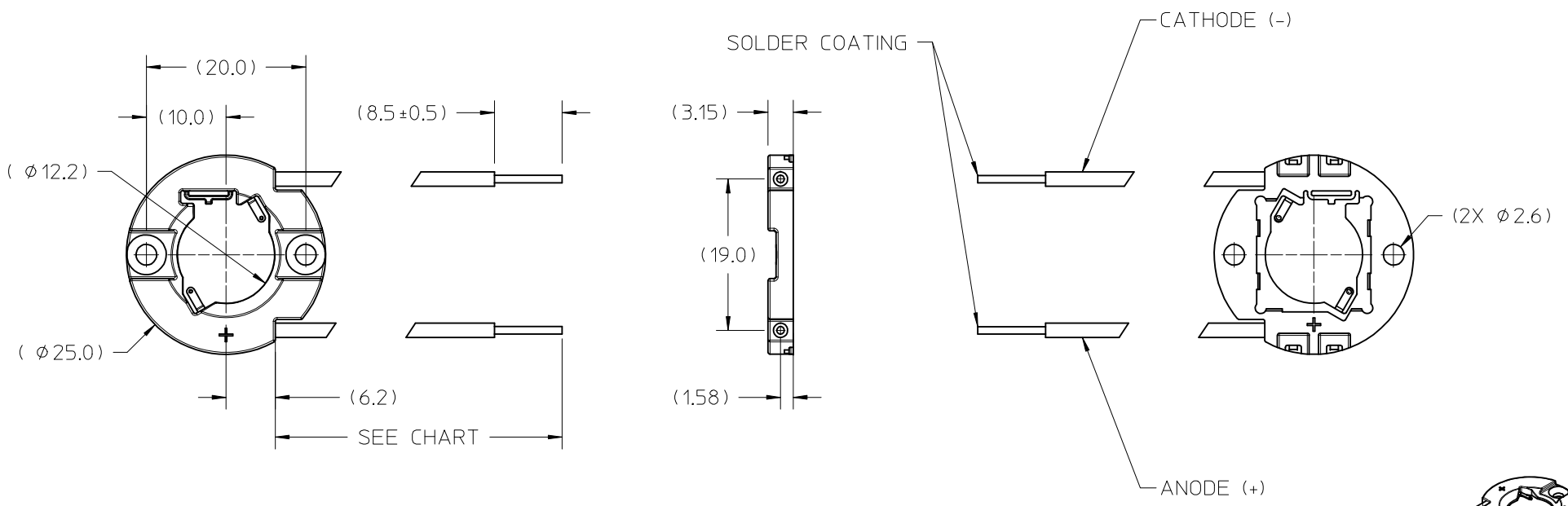
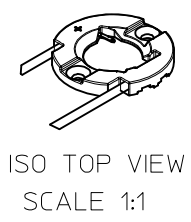


PART NUMBER	DESCRIPTION	ANODE (+) WIRE COLOR	CATHODE (-) WIRE COLOR	WIRE LENGTH
180555-0001	HOLDER ASSEMBLY W/O TUBING	WHITE	YELLOW	110±5
180555-0002	HOLDER ASSEMBLY W/O TUBING	RED	BLACK	254±5



- NOTES:
1. MATERIALS: HOUSING: GLASS FILLED POLYESTER (PBT), COLOR: WHITE, UL94V-0; TERMINAL: COPPER ALLOY WIRE: UL AWM STYLE 3266, 125°C RATED TEMPERATURE. INSULATION: XL-PE. CONDUCTOR: 20 AWG STRANDED COPPER.
 2. FINISHES: TERMINAL CONTACT: GOLD OVER NICKEL
 3. ALL DIMENSIONS IN PARENTHESES (XX.XX) ARE FOR REFERENCE ONLY
 4. MOUNT HOLDER USING M2.5 SCREWS (2), 0.1 NEWTON METERS MIN; 0.2 NEWTON METERS MAX TORQUE
 5. THIS PRODUCT IS ELV AND ROHS COMPLIANT



ENTER DESCRIPTION EC NO: SSL2015-0052 DRAWN BY: MCOLE 2014/11/25 CHKD: CHKKD APPR: GMEYER 2014/12/03 A2	QUALITY SYMBOLS ▽=0 ▽=0 ▽=0	GENERAL TOLERANCES (UNLESS SPECIFIED)		DIMENSION STYLE MM ONLY		SCALE 2:1	DESIGN UNITS METRIC	THIRD ANGLE PROJECTION
		4 PLACES ± --- ± ---	DRAWN BY: MCOLE DATE: 2013/09/23	TITLE COB LED HOLDER ASSEMBLY 13.35 MM X 13.35 MM				
		3 PLACES ± --- ± ---	CHECKED BY: GMEYER DATE: 2013/12/11					
		2 PLACES ± 0.13 ± ---	APPROVED BY: DMCGOWAN DATE: 2013/12/12	DOCUMENT NO. SD-180555-001				
1 PLACE ± 0.25 ± ---	MATERIAL NO.	SHEET NO. 1 OF 1						
REVISION		ANGULAR ± 1/2° DRAFT WHERE APPLICABLE MUST REMAIN WITHIN DIMENSIONS		SEE CHART		THIS DRAWING CONTAINS INFORMATION THAT IS PROPRIETARY TO MOLEX INCORPORATED AND SHOULD NOT BE USED WITHOUT WRITTEN PERMISSION		