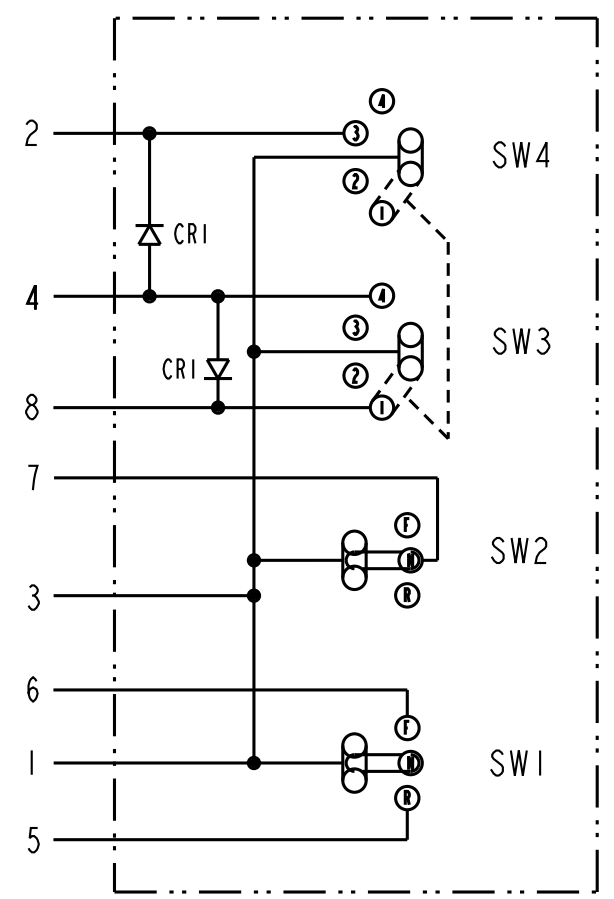


PART NUMBER  
50082626-001

REVISION HISTORY					
REV	DOCUMENT	DESCRIPTION	CHG'D BY	DATE	APPROVED
A	0098571	RELEASED PER ECO	SJK	2013-03-20	M. SHAKIL

ENVIRONMENTAL SPECIFICATION					
CHARACTERISTIC	MIN	NOM	MAX	UNITS	NOTES
OPERATING TEMPERATURE	-40	-	85	°C	
STORAGE TEMPERATURE	-55	-	85	°C	
VIBRATION	7	-	250	Hz	FREQUENCY: 7-250Hz DURATION: 4 HOURS IN EACH AXES ACCELERATION: 3.2G RMS
FNR SWITCH LIFE	500,000 CYCLES				TESTED AT 12V
SPEED SELECTOR SWITCH LIFE	1,000,000 CYCLES				
SEALING	IP 67				

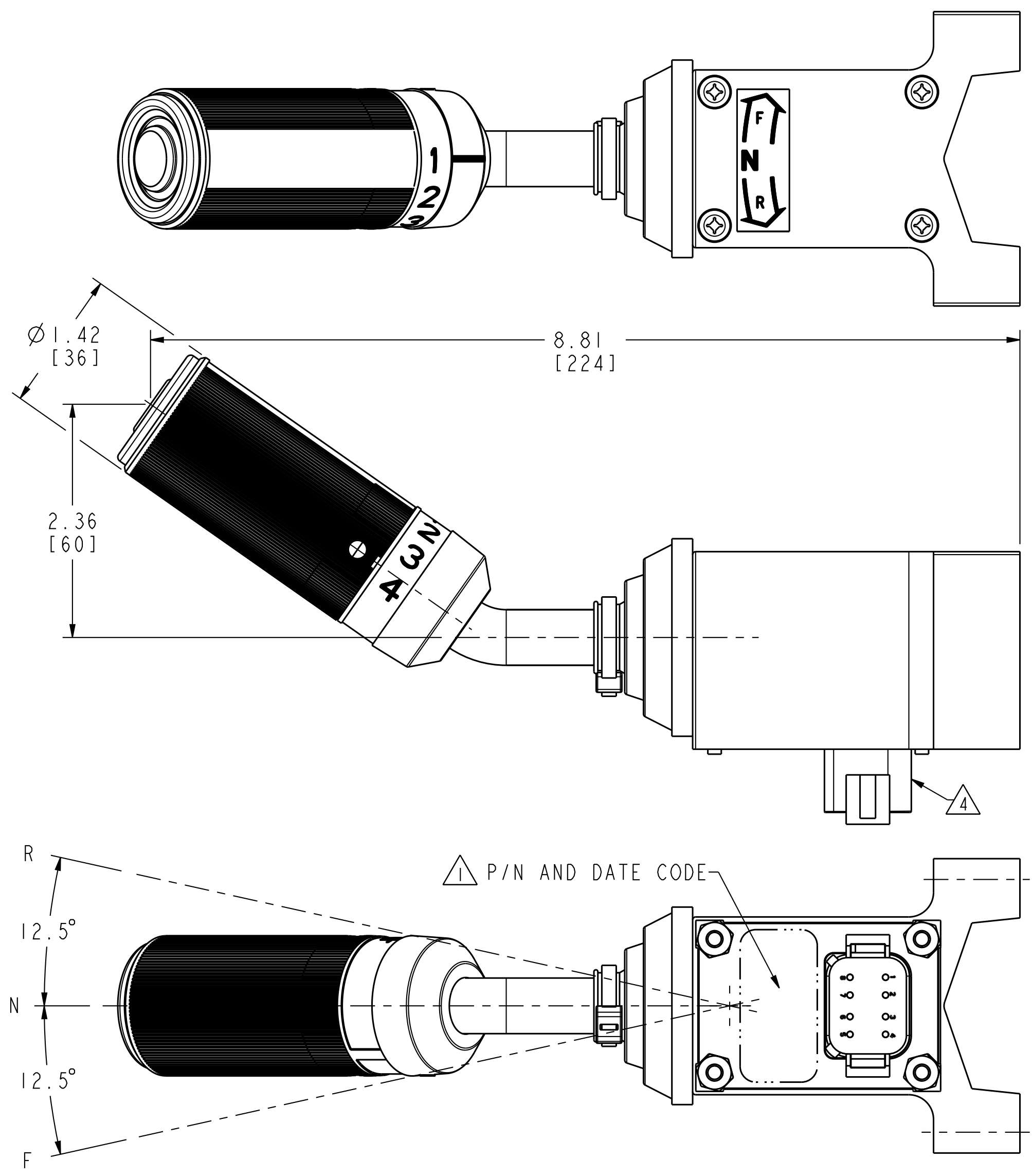
ELECTRICAL SPECIFICATION					
OPERATING VOLTAGE	3	12	32	VDC	
OPERATING CURRENT	-	-	2	A	SOLENOID LOAD AT 12.8V WITH ARC SUPPRESSION



ELECTRICAL SCHEMATIC  
(SHOWN IN NEUTRAL)  
LEGEND

- |     |                           |     |                       |
|-----|---------------------------|-----|-----------------------|
| F   | FORWARD POSITION          | SW3 | SPEED SELECTOR SWITCH |
| N   | NEUTRAL POSITION          | SW4 | SPEED SELECTOR SWITCH |
| R   | REVERSE POSITION          | 1   | FIRST GEAR POSITION   |
| CR1 | DIODE                     | 2   | SECOND GEAR POSITION  |
| SW1 | DIRECTION SELECTOR SWITCH | 3   | THIRD GEAR POSITION   |
| SW2 | NEUTRAL INDICATOR SWITCH  | 4   | FOURTH GEAR POSITION  |

- NOTES:
- ① - CUSTOMER PART NO. AND DATE CODE TO BE MARKED IN THE AREA SHOWN.
  - 2 - TORQUE REQUIREMENT TO CHANGE DIRECTIONS TO BE 22 ± 7 IN. LBS. (2.5 ± 0.8 N-m)
  - 3 - TORQUE REQUIREMENT TO CHANGE SPEEDS TO BE 8.88 ± 2.6 IN. LBS. (1.0 ± 0.3 N m)
  - ④ - A. MATING CONNECTOR: DEUTSCH DT06-08S  
B. CONNECTOR TERMINAL: DEUTSCH 1062-16-0122  
OPTIONAL TERMINAL: DEUTSCH 0462-201-16141  
C. CONNECTOR WEDGE: DEUTSCH W8S  
D. SEALING PLUG: DEUTSCH 114017



CUSTOMER PRINT

UNLESS OTHERWISE SPECIFIED		THIRD ANGLE PROJECTION		Honeywell			
DIMENSIONS ARE IN INCHES				TITLE			
DECIMAL TOL				SHIFTER ASSEMBLY F-N-R SHIFTER			
NO PLACE ---		SIZE	CAGE CODE	DWG NO	TYPE	REV	
1 PLACE --- ±.020		C	-	50082626	I	A	
2 PLACE --- ±.010		SCALE	REF WT.		SHEET 1 of 1		
3 PLACE --- ±.005		RELEASE DATE	2013-03-20		HONEYWELL CONFIDENTIAL		
ANGULAR TOL - ±0°30' CHAMFER -		DRW: K. SHRIRAM	2013-01-08		<small>THIS DOCUMENT CONTAINS PROPRIETARY INFORMATION AND SUCH INFORMATION MAY NOT BE DISCLOSED TO OTHERS FOR ANY PURPOSE, NOR USED FOR MANUFACTURING PURPOSES WITHOUT WRITTEN PERMISSION FROM HONEYWELL</small>		
MATERIAL		RDE: M. SHAKIL	2013-01-08				
FINISH		QA: -	-				
APPLICABLE DOCUMENTS: ASME Y14.100-2004 ASME Y14.5-2009		CHK: M. SHAKIL	2013-01-08				
COMPUTER GENERATED DRAWING: PRO/ENGINEER							