


40mm sq.

San Ace 40



General Specifications

- Material Frame: Plastics (Flammability: UL94V-0),
Impeller: Plastics (Flammability: UL94V-0)
- Expected Life Refer to specifications (L10:Survival rate:90% at 60°C ,
rated voltage, and continuously run in a free air state)
- Lead Wire ⊕red ⊖black or blue (Sensor) yellow
- Storage Temperature -20°C to +70°C (Non-condensing)

40×40×28mm (Mass : 50g) **9GV type** 

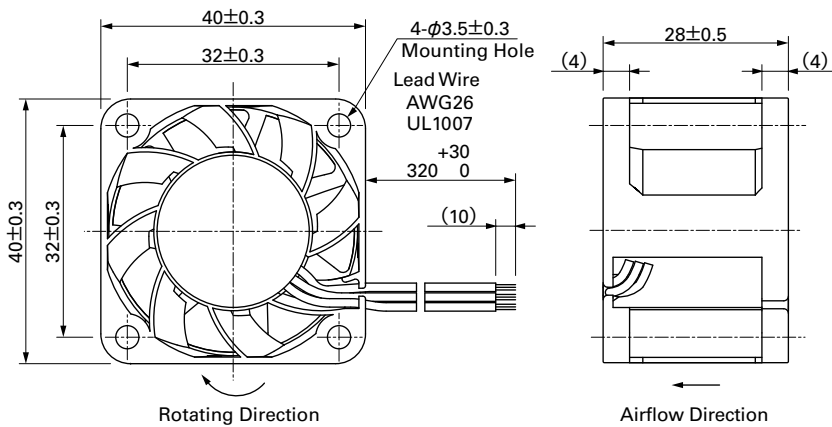
Specifications

The following nos. **have pulse sensors and ribs**. For ribless, append "1" to the model no.

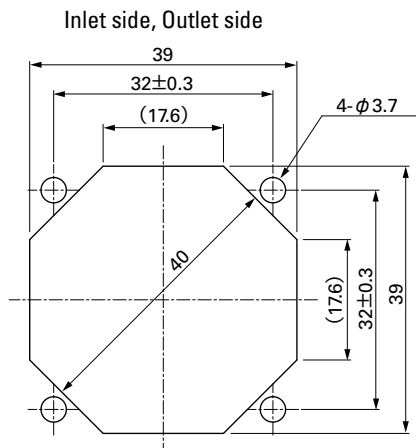
Model No.	Rated Voltage [V]	Operating Voltage Range [V]	Rated Current [A]	Rated Input [W]	Rated Speed [min ⁻¹]	Max. Airflow [m ³ /min] [CFM]	Max. Static Pressure [Pa] [inchH ₂ O]	SPL [dB(A)]	Operating Temperature [°C]	Expected Life [h]		
9GV0412K301	12	10.8 to 12.6	0.84	10.08	16,500	0.76	26.8	415	- 20 to +60	40,000/60°C		
9GV0412J301			0.60	7.20	14,700	0.68	24.0	330			1.325	55
9GV0412G301		7 to 13.2	0.47	5.64	13,000	0.60	21.1	260			1.044	52
9GV0412H301			0.31	3.72	11,600	0.53	18.7	207			0.831	49
9GV0412C301			0.15	1.80	8,300	0.37	13.1	100			0.402	41

Other sensor specifications are available as options. Please refer to the index (p. 507).

Dimensions (unit: mm) (With ribs)



Reference Dimensions of Mounting Holes and Vent Opening (unit: mm)



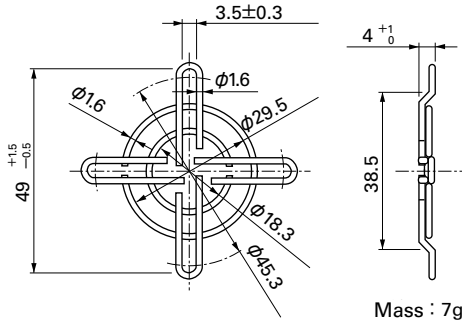
Options (unit: mm)

Finger Guards

Model : 109-059 Surface treatment : Nickel-chrome plating (silver)
 : 109-059H : Cation electropainting (black)

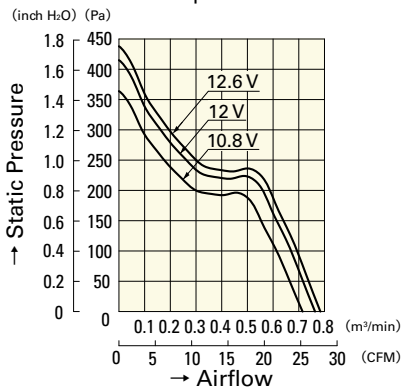
Color

Inlet side, Outlet side



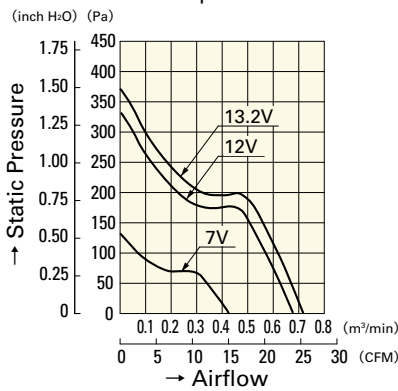
Airflow - Static Pressure Characteristics

K speed



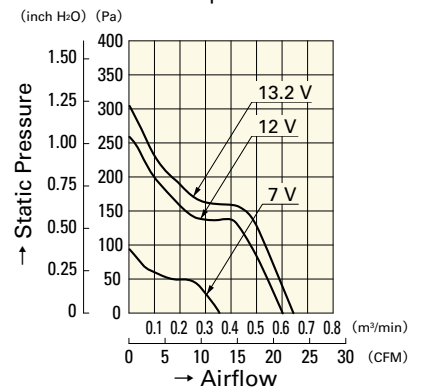
9GV0412K301

J speed



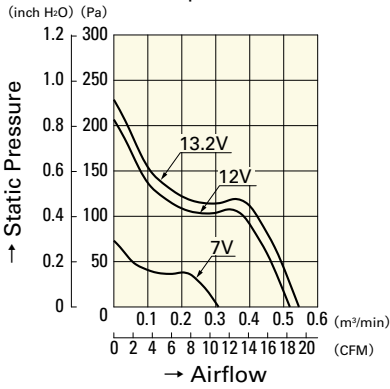
9GV0412J301

G speed



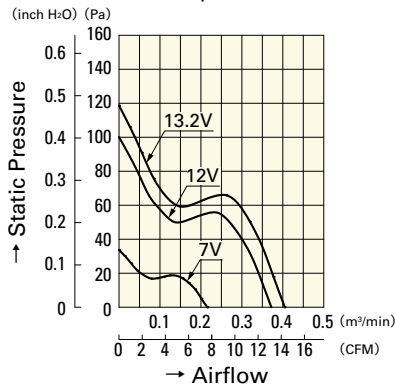
9GV0412G301

H speed



9GV0412H301

C speed



9GV0412C301