

MATERIALS AND FINISHES

BODY, FERRULE, WASHER, BUSHING BRASS
PLATED NCKEL

CENTER CONTACT BRASS
PLATED GOLD

INSULATOR, WASHER TEFLON

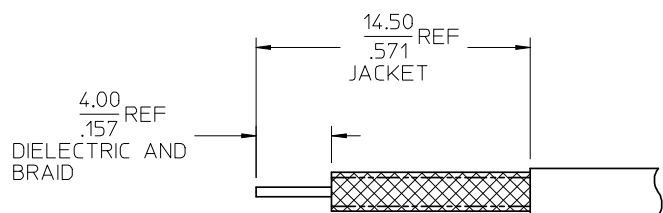
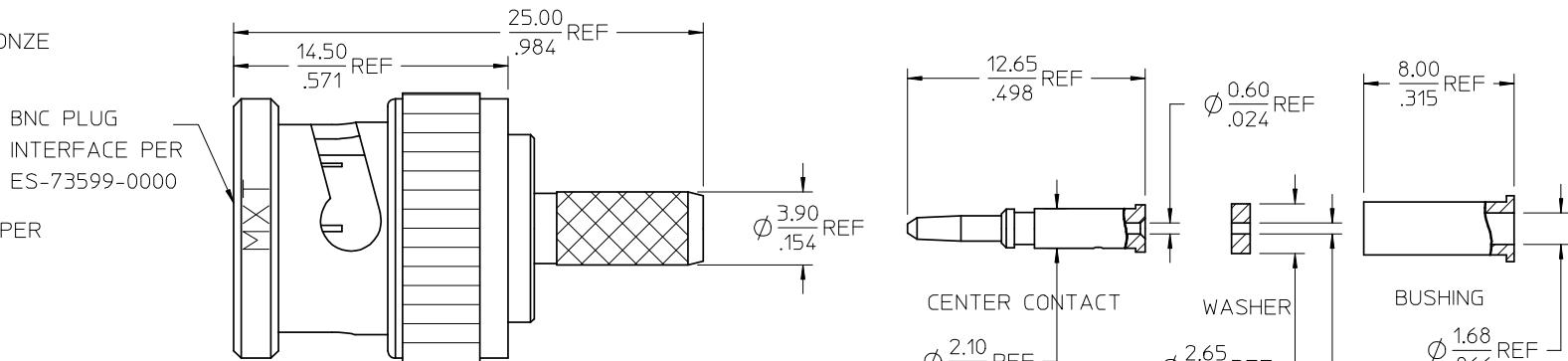
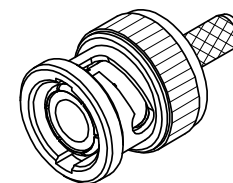
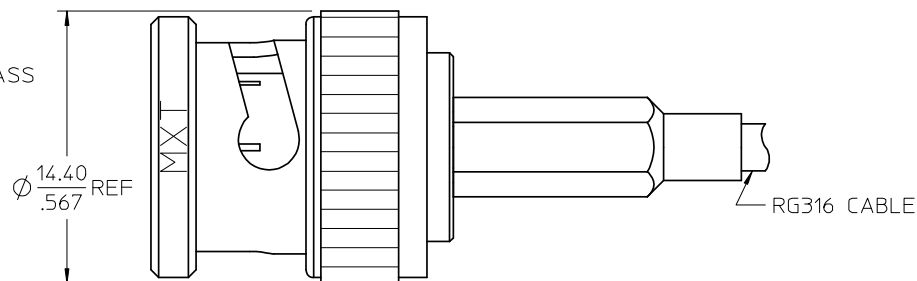
SPRING WASHER PHOSPHOR BRONZE
PLATED NICKEL

COUPLING NUT ZINC ALLOY
PLATED NICKEL

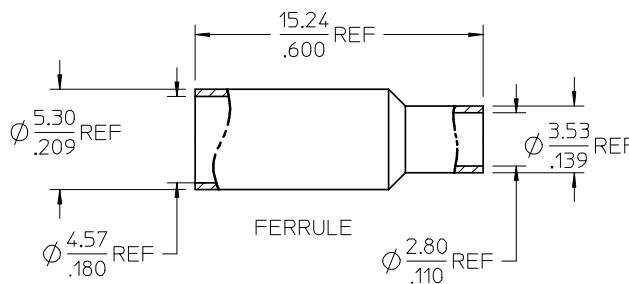
RETAINING RING BERYLLIUM COPPER
PLATED NICKEL

GASKET SILICONE RUBBER

CABLE ATTACHMENT:
CENTER CONDUCTOR: SOLDER/CRIMP USING 1.69 HEX
FERRULE: CRIMP USING 4.52 HEX



CABLE STRIP DIMENSIONS



AS-73597-0031	CABLE ASSY INSTRUCT.
PS-73598-0024	ELECTRO/MECH SPEC.
SPECIFICATION	DESCRIPTION

73171-3160	73174-0073, ONE PER BAG
73174-0073	INDIVIDUAL BAGS
PART NO.	PACKAGING

CHG: REMOVE KNURL FROM CONTACT VIEW WAS 3 PLACES
 EC NO: URF2008-0496
 DRWN: WIENER 2008/04/01
 CHKD: SHAH 2008/04/01
 APPR: WIENER 2008/04/01

QUALITY SYMBOLS
 ▽=0
 ▽=0

GENERAL TOLERANCES (UNLESS SPECIFIED)

	mm	INCH
4 PLACES	± .005	± .0005
3 PLACES	± .003	± .0003
2 PLACES	± .002	± .0002
1 PLACE	± .001	± .0001
ANGULAR	± .005°	

DRAFT WHERE APPLICABLE MUST REMAIN WITHIN DIMENSIONS

DIMENSION STYLE MM/IN
 DRAWN BY DATE
 CHECKED BY DATE
 APPROVED BY DATE
 KHW 1993/03/15
 MATERIAL NO. SEE TABLE
 SIZE C

SCALE DESIGN UNITS METRIC
 THIRD ANGLE PROJECTION
 TITLE BNC PLUG, STR FOR RG316 50 OHMS BNC-PC
 MOLEX INCORPORATED
 DOCUMENT NO. SD-73174-0073
 SHEET NO. 1 OF 1

THIS DRAWING CONTAINS INFORMATION THAT IS PROPRIETARY TO MOLEX INCORPORATED AND SHOULD NOT BE USED WITHOUT WRITTEN PERMISSION