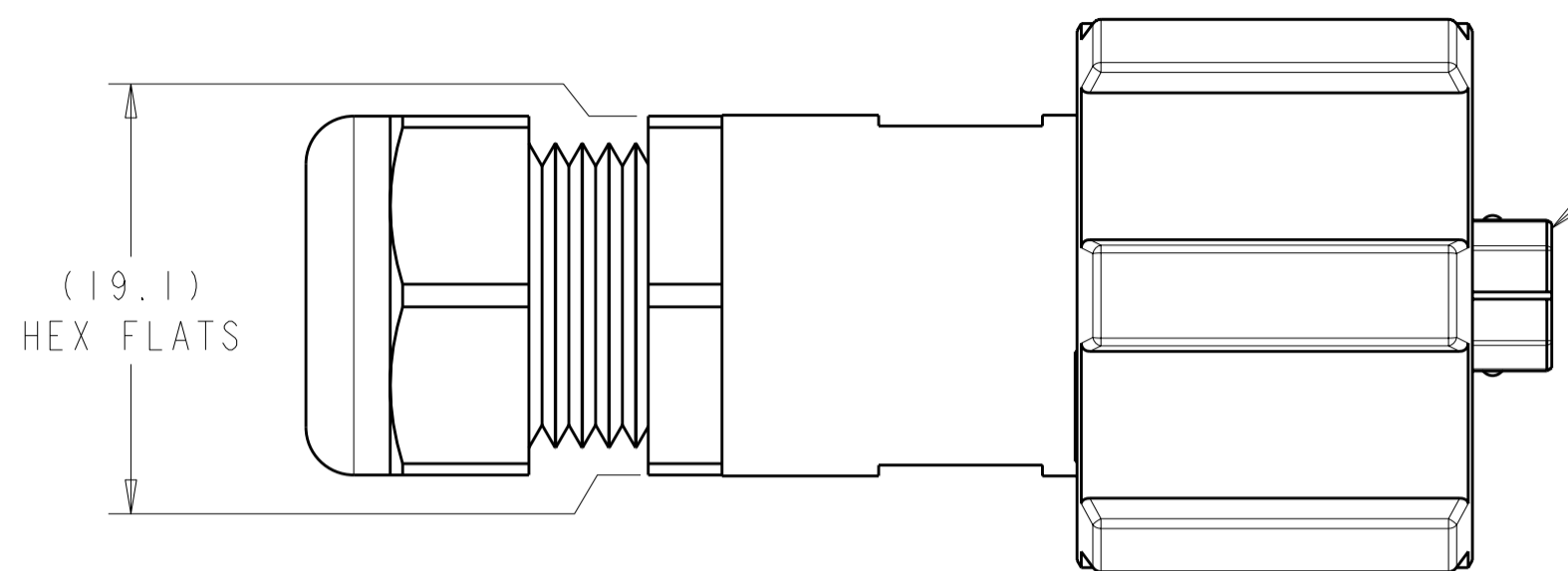
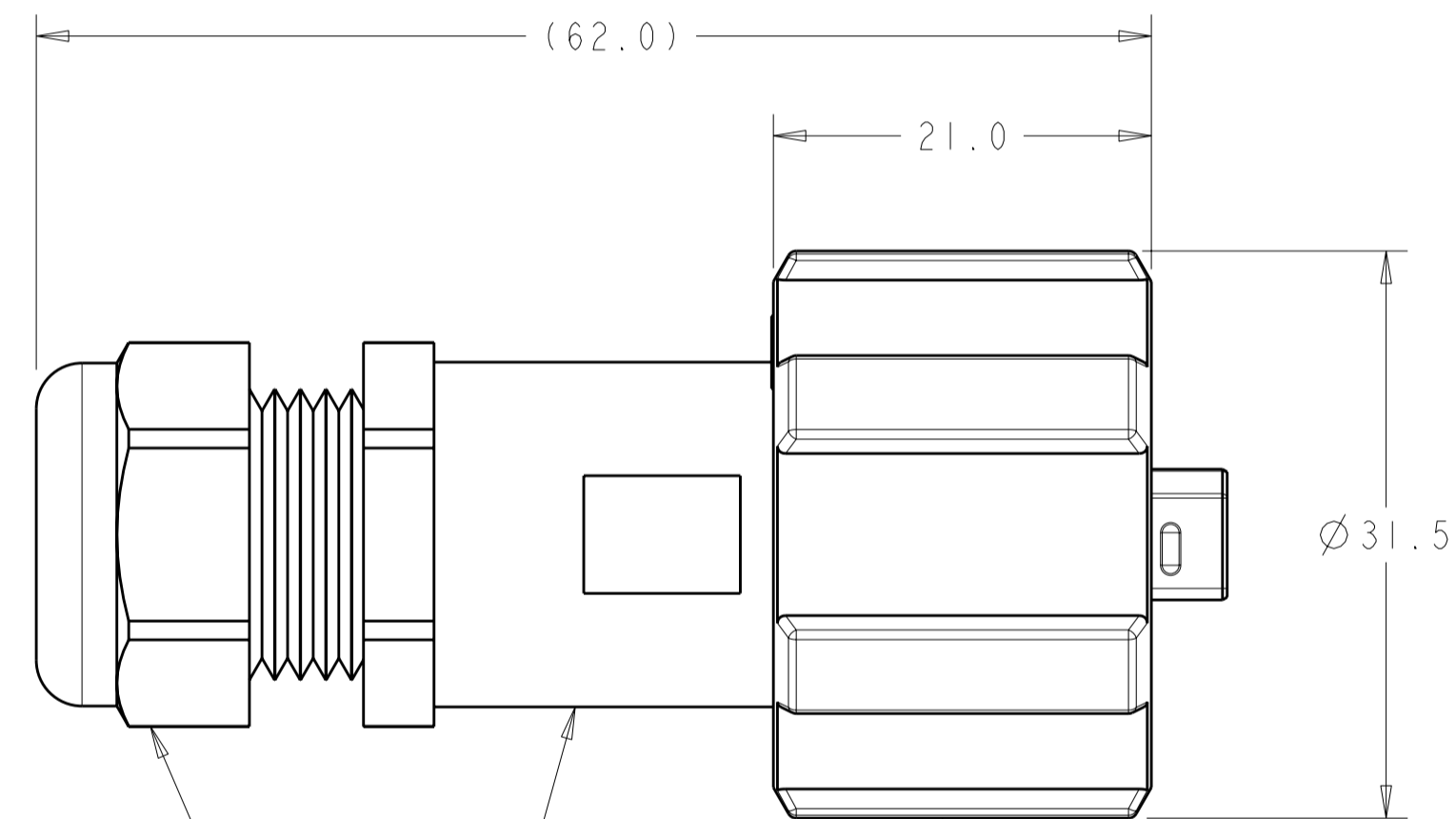


THIS DRAWING IS UNPUBLISHED. RELEASED FOR PUBLICATION 20
 © COPYRIGHT 20 BY TYCO ELECTRONICS CORPORATION. ALL RIGHTS RESERVED.

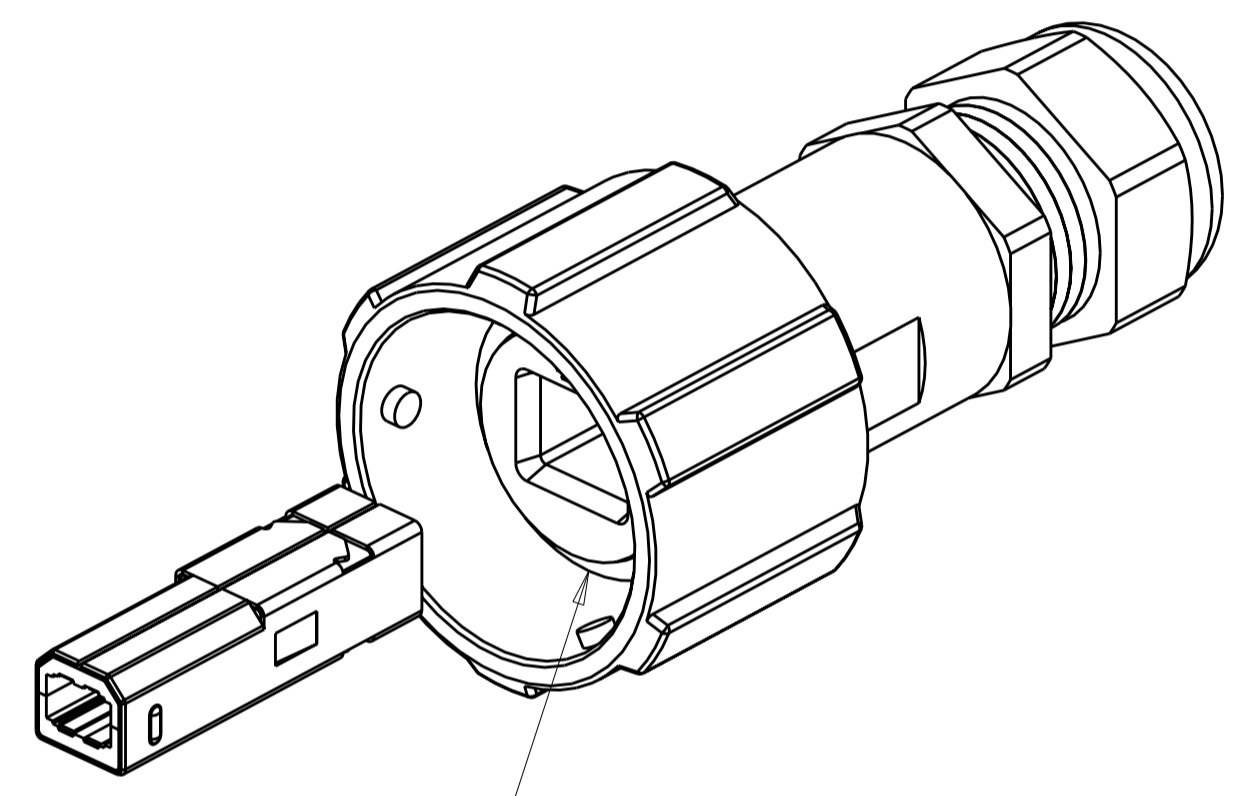
LOC	DIST	REVISIONS			
P	LTR	DESCRIPTION	DATE	DWN	APVD
-	-	A	REVISED PER ECO-09-009008	08APR2009	SS MS



USB HARDWARE PLUG ASSEMBLY, SERIES B
 HOUSING - PBT
 CONTACTS - BRASS, GOLD OVER NICKEL
 SHIELD - STEEL, NICKEL PLATED



- ① CABLE FITTING AND ELASTOMER
POLYAMIDE COLOR: BLACK
- ③ PLUG HOUSING
POLYESTER, COLOR: BLACK
- COUPLING RING
POLYESTER, COLOR: BLACK



SCALE 2:1
 ④ INTERFACIAL SEAL
 ELASTOMER, COLOR: ORANGE-RED

① CABLE DIAMETER RANGE, 4.6 mm TO 7.9 mm, CABLE FITTING ONLY, SEE APPLICATION SPECIFICATION FOR PLUG TERMINATION INFORMATION

- 2. PARTS PACKAGED UNASSEMBLED IN POLYBAG.
- ③ GEOMETRY CAN VARY.
- ④ ELASTOMER SEAL IS SECURED TO HOUSING WITH ADHESIVE.

1954640-1
 PART NO.

THIS DRAWING IS A CONTROLLED DOCUMENT FOR TYCO ELECTRONICS CORPORATION. IT IS SUBJECT TO CHANGE AND THE CONTROLLING ENGINEERING ORGANIZATION SHOULD BE CONTACTED FOR THE LATEST REVISION.		DWN RAGHU 29NOV2006	Tyco Electronics Harrisburg, PA 17105-3608	
DIMENSIONS: mm		CHK J. LANDIS 29NOV2006	NAME PLUG KIT, SERIES B CIRCULAR SEALED USB CONNECTOR	
TOLERANCES UNLESS OTHERWISE SPECIFIED: 0 PLC ±0.3 1 PLC ±0.2 2 PLC ±0.10 3 PLC ± 4 PLC ± ANGLES ±1° FINISH		APVD -	PRODUCT SPEC 108-2318	RESTRICTED TO -
MATERIAL -		APPLICATION SPEC 114-13211	SIZE A2	CAGE CODE 00779
		WEIGHT -	DRAWING NO 1954640	REV A
		CUSTOMER DRAWING	SCALE 5:2	SHEET 1 OF 1