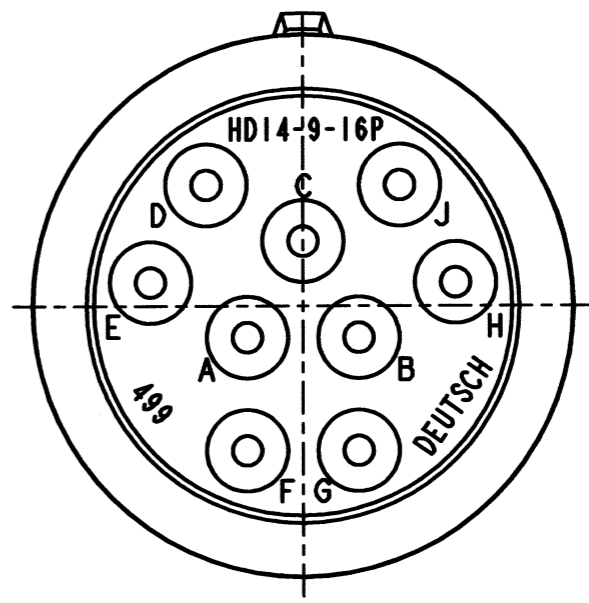
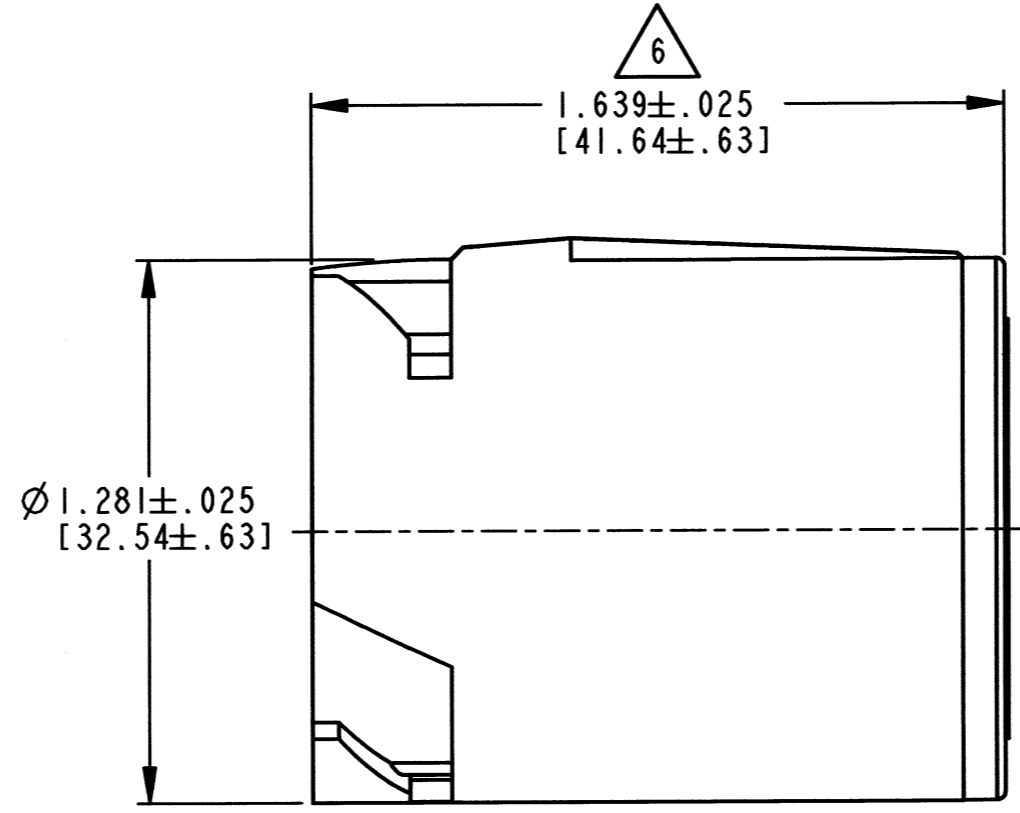
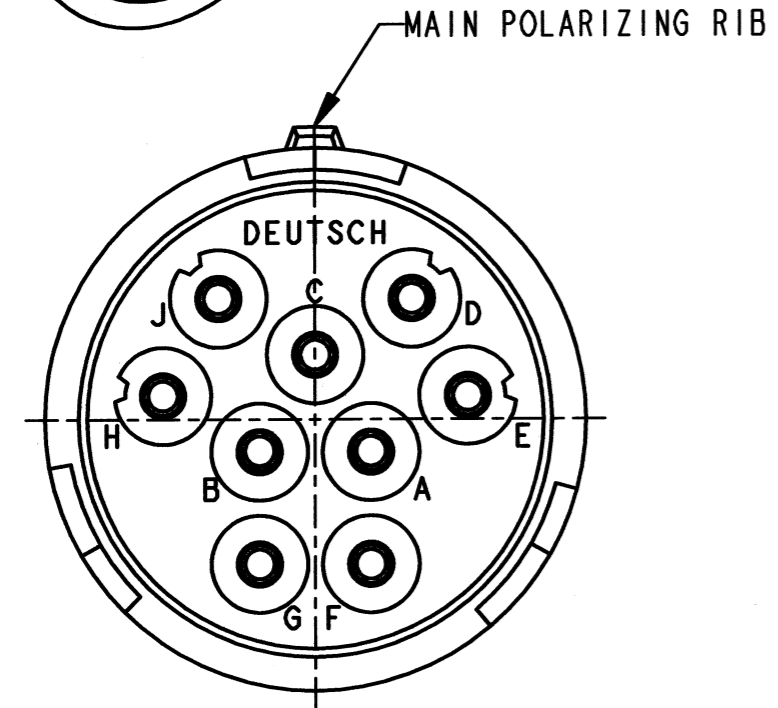
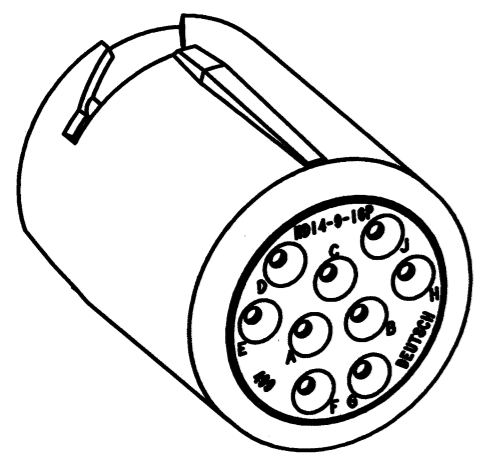


REV  
D **HD14-9-16P**

REVISIONS			
SYM	DESCRIPTION	DATE	APPROVED
A	REVISION (1) PER E.O. A3379	09/05/85	J.R.A.
B	REVISION PER E.O. A5914	04/17/87	J.R.A.
C	REVISED & REDRAWN PER E.O. PI6261	09/17/99	R.D.R.
D	REVISED PER E.O. P20769	1-21-11	KDR



4. FOR "PERFORMANCE AND APPLICATION CHARACTERISTICS OF SOLID/STAMPED AND FORMED CONTACTS AND WIRES," SEE ENVELOPE DRAWING 0425-015-0000. THIS RECEPTACLE USES PIN CONTACTS ONLY.

3. ALL DIMENSIONS ARE IN INCHES [MILLIMETERS].

2. THIS CONNECTOR SERIES WILL ACCOMMODATE THE FOLLOWING WIRE INSULATION DIAMETERS:

CONTACT SIZE	MINIMUM O.D.	MAXIMUM O.D.
16	.100 [2.54]	.150 [3.81]

1. CONSULT FACTORY FOR ELECTRICAL AND MATERIAL SPECIFICATIONS.

NOTES:

7. MATERIAL: SHELL: PLASTIC, SEAL: RUBBER.

△ 6. OVERALL DIMENSION DOES NOT INCLUDE RUBBER GROMMET.

5. THIS RECEPTACLE MATES WITH HD16-9-16S\*-\*\*\*\* PLUG (\* = SEAL TYPE, \*\*\*\* = ALL MODIFICATIONS).

SIGNATURE & DATE	
DR	J. HAYNES 08/31/99
CHK	<i>[Signature]</i> 1/2/2-011
PE	<i>[Signature]</i> 1/14/11
APPD	<i>[Signature]</i> 1/14/11
SCALE	NONE WT

RECEPTACLE CONNECTOR  
 INLINE  
 HD10 SERIES  
 ARR. 9-16  
 COLOR: GREY

ENVELOPE

EP	NATL. CODE	
 3850 INDUSTRIAL AVE. HEMET, CA 92545		
<b>B HD14-9-16P</b>		
DWG SIZE	CODE 11139	SHEET   OF